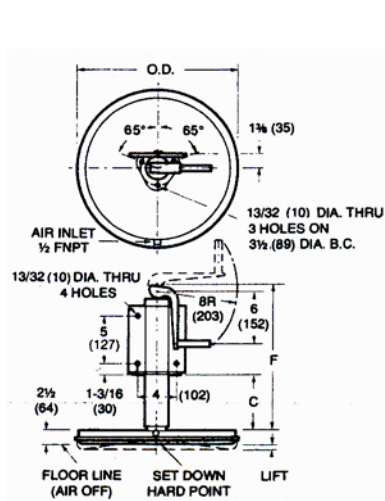
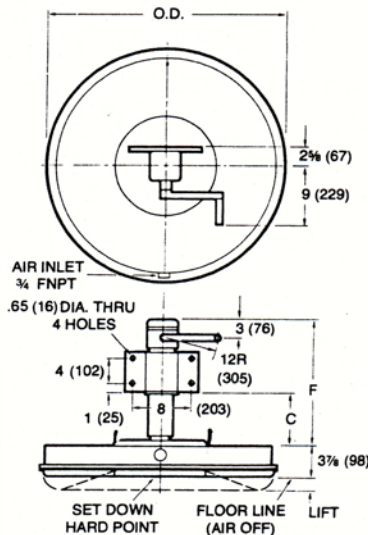
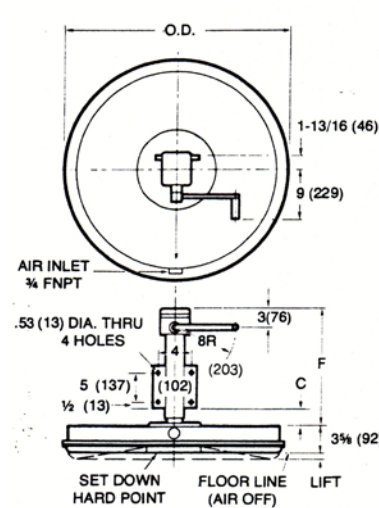


## Lifting Jacks - RSJ Series Air Cushions - Specifications

Hovair Systems RSJ Series Air Cushions combine the horizontal movement capability of the air cushion with the vertical lift capability of the lifting jack. Easy-to-attach bolt-on side mounting brackets eliminate the necessity to get under the load. RSJ Series Air Cushions are readily attachable to existing structures. Hovair Systems manufactures many types of air cushions for a full range of applications and environments.



Model No.	Capacity in lbs. (kg)		Dimensions in inches (mm)		
	Load	Crank*	Jack Stroke	F (Retracted)	C (Retracted)
1RSJ-12- 5			5 (127)	12 (305)	1/2 (13)
1RSJ-12-10	1,000	5,000	10 (254)	17 (432)	5 1/2 (140)
1RSJ-12-15	(500)	(2,500)	14 1/2 (368)	23 1/2 (597)	12 (305)
2RSJ-16- 5			5 (127)	12 (305)	1/2 (13)
2RSJ-16-10	2,000	5,000	10 (254)	17 (432)	5 1/2 (140)
2RSJ-16-15	(1000)	(2,500)	14 1/2 (368)	23 1/2 (597)	12 (305)
4RSJ-22- 5			5 (127)	12 (305)	1/2 (13)
4RSJ-22-10	4,000	5,000	10 (254)	17 (432)	5 1/2 (140)
4RSJ-22-15	(2000)	(2,500)	14 1/2 (368)	23 1/2 (597)	12 (305)



Model No.	Capacity in lbs. (kg)		Dimensions in inches (mm)		
	Load	Crank*	Jack Stroke	F (Retracted)	C (Retracted)
6RSJ-28- 6			6 (152)	18 (457)	3 (76)
6RSJ-28-12	6,000	5,000	12 (305)	24 (610)	3 (76)
6RSJ-28-18	(3,000)	(2,500)	18 (457)	30 (762)	3 (76)
10RSJ-34- 6			6 (152)	18 (452)	3 (76)
10RSJ-34-12	10,000	7,500	12 (305)	24 (610)	3 (76)
10RSJ-34-18	(5,000)	(3,750)	18 (457)	30 (762)	3 (76)
14RSJ-40- 6			6 (152)	19 (482)	8.5 (216)
14RSJ-40-12	14,000	10,000	12 (305)	25 (635)	8.5 to 14.5 (216 to 368)
14RSJ-40-18	(7,000)	(5,000)	18 (457)	31 (787)	8.5 to 20.5 (216 to 521)
18RSJ-44- 6			6 (152)	19 (482)	8.5 (216)
18RSJ-44-12	18,000	10,000	12 (305)	25 (635)	8.5 to 14.5 (216 to 368)
18RSJ-44-18	(9,000)	(5,000)	18 (457)	31 (787)	8.5 to 20.5 (216 to 521)

### When To Use RSJ Air Cushions:

- When the air cushions cannot be placed under the load
- Where vertical adjustment of load is desired for positioning or joining
- When air cushions must be raised above floor level when not in operation
- For ease of air cushion removal after use

Please note: Lifting Jacks are supplied with top-mounted crank handle as standard. Side-mounted crank handles are available only on request.

